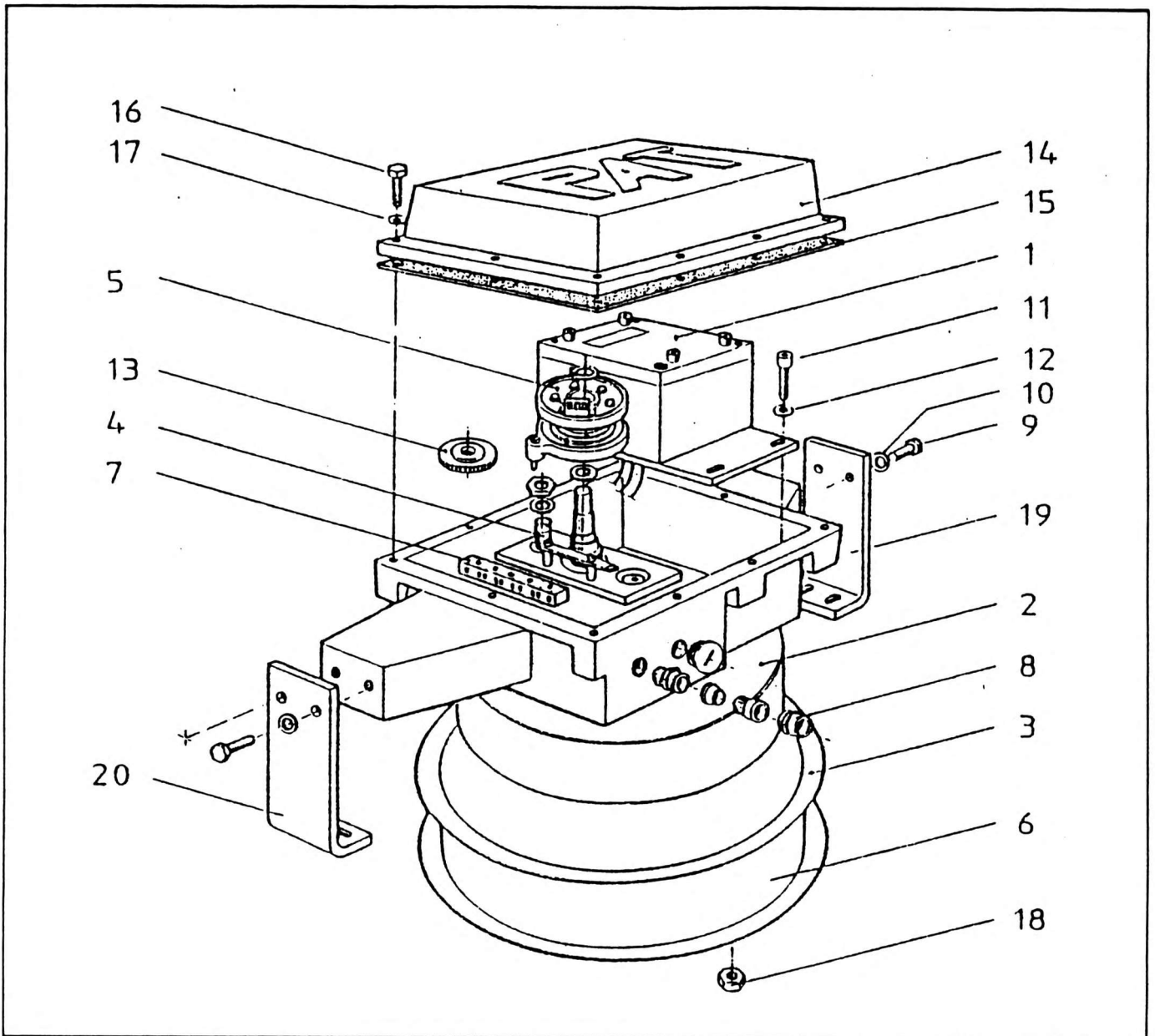


LENGTH/ANGLE TRANSDUCER



NO.	PART NO.	QTY.	DESCRIPTION	NO.	PART NO.	QTY.	DESCRIPTION
-	7-400-990025	1	Length/Angle Transducer Complete Comprising	13	9-333-101625	1	Gear Wheel
1	9-333-101454	1	Angle Sensor	14	9-333-101564	1	Cover
2	9-333-101623	1	Spring Assembly	15	9-333-101565	1	Sealing
3	9-333-101624	1	Cable Reel	16	9-333-101566	10	Screw
4	9-333-101617	1	Length Potentiometer Assembly	17	9-333-101567	10	Washer
5	9-333-101555	1	Slip Ring Unit	18	9-333-101568	4	Nut
6	9-333-101618	1	Cable 2 Core 139 feet	19	9-333-101569	1	Mounting Bracket
7	9-333-101557	1	Terminal Strip	20	9-333-101570	1	Mounting Bracket
8	9-333-101558	1	Cable Gland				
9	9-333-101559	4	Screw				
10	9-333-101560	4	Lockwasher				
11	9-333-101561	2	Allen Screw				
12	9-333-101562	2	Washer				

7-400-990025
Issue No. 00